

Electromagnetic metering pumps

Our latest electromagnetic metering pump features water quality control functions and multivoltage operation.

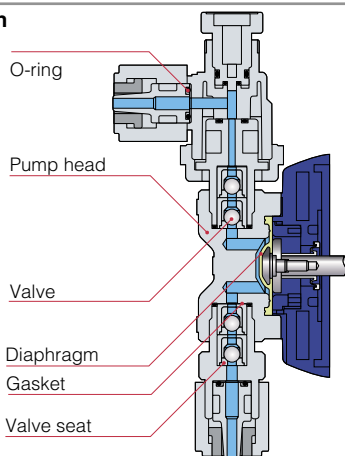


Electromagnetic metering pumps

The EWN-W series is a diaphragm type electromagnetic metering pump and features water quality control functions and multi voltage operation. PH, ORP(oxidation-reduction potential), conductivity, cooling tower or residual chlorine modes can be selected to customise the pump for specific applications. A large backlit LCD offers good legibility and the pump uses Iwaki's uniquely high stroke speed of 360spm. The EWN-W promises stable water quality control with fine flow adjustment in continuous chemical dosing situations.



Construction



Wet-end material

Material code	VC	VH	PC	PH
Pump head	PVC		GFRPP	
Valve	Almina ceramic	Hastelloy C276	Almina ceramic	Hastelloy C276
Valve seat	FKM	EPDM	FKM	EPDM
Gasket	PTFE+EPDM			
O-ring	PTFE			
Diaphragm	FKM	EPDM	FKM	EPDM

Controller variation

WPO(pH/ORP), WEC(conductivity) and WCT(cooling tower) controllers are available. Also, the extra large LCD improves legibility and ease of operation.

High resolution

Stroke speed adjustment in 1spm increments allows fine flow adjustment between 1 and 360spm in continuous chemical feeding.

Adjustable tube fitting

Newly-designed adjustable tube fittings eliminate tube twisting when fastening.

Multi voltage

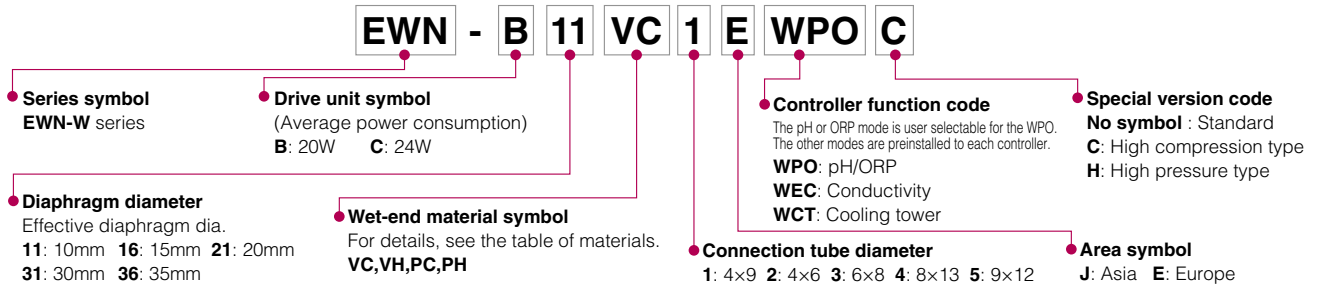
The EWN-W can be used in all countries thanks to the universal power supply(100-240VAC).

Pump body

The molded pump body with a minimum of sealing surfaces meets a high level (IP65 or equivalent) of both waterproofness and dustproofness. The plastic casing cover further protects the pump when installed in severe environments.



Pump identification



Specifications of pump

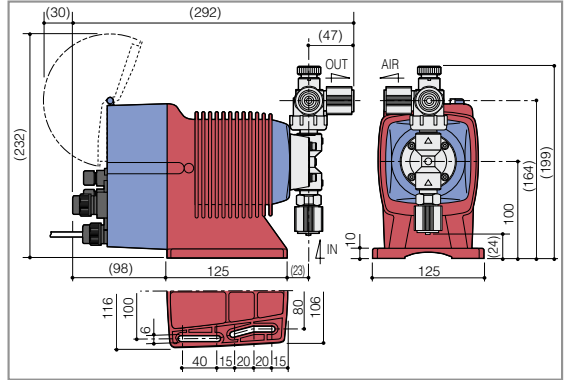
Model		VC/VH/PC/PH							
		B11	B16	B21	B31	C16	C21	C31	C36
Max. pressure	MPa	1.0	0.7	0.4	0.2	1.0	0.7	0.35	0.2
Max. capacity	mL/min	38	65	100	200	80	130	270	420
Connection	mm	4x9		8x13		4x9		8x13	
Power Voltage		100 - 240 VAC 50/60Hz							
Air vent valve		○							
Average current		0.8A/20W				1.2A/24W			
Mass	kg	2.5				3.5			
Accessory	Check valve	CAN-1		CAN-2-L		CAN-1		CAN-2	
	Braided hose	Ø4 x Ø9 or Ø8 x Ø13 made in PVC/3 m							

Note 1: The maximum discharge capacity of each model represents the figure when the pump is pumping clean water at maximum discharge pressure, rated voltage, ambient temperature, and 360 spm with stroke length 100%.

Note 2: 0.12MPa or more discharge pressure is needed to prevent over feeding (0.05MPa or more for the EHN-B31 and C36). If the discharge pressure is at or below the required MPa, install a check valve or back pressure valve.

Operating condition: Liquid temperature range is 0 - 60 °C (0 - 40 °C for VC/VH)
Ambient temperature range is 0 - 40 °C

Dimensions in mm



Specifications of relay box (for the WCT/cooling tower)

Model		TK-PC99-6RY
Input	Power Voltage	100-240VAC 50/60Hz
	Average current	Blowoff control input (from WCT)
Output	Voltage contact	Applied voltage changes with power voltage Max 250VAC 8A (Resistive load)
	Braided hose	Applied voltage changes with power voltage



Specifications of controller

Model		WPO	WEC	WCT
Control modes		pH	Oxidation-reduction potential	Conductivity
Sensor		pH sensor	ORP sensor	Conductivity sensor
Control function		AUTO / MANUAL		
Function		Proportional control (PID control)		Timer control
Control method		6 keypads Start/Stop, Δ(Up), ▽(Down), SET, CAL, ESC		
Setting method		Backlit LCD 4x2 characters Measured value, Set value, Error indication		
Display		LED Red/Orange LEDx1 Green/Orange LDEx1 Red LEDx2		
STOP/PreSTOP		Red/Orange LEDx1 (Red: Stop input Orange: PreSTOP input)		
Output(alarm)behavior		(The output turns on along with output setting.)		
Input		0.00 - 14.00pH Auto(matic) temperature compensation	-2000 - 2000mV	0 - 400mS/m (0.00 - 4.00mS/cm)
Liquid temperature range (Temp. sensor type)		0 - 99.9°C (Pt1000)	—	0 - 99.9°C (Pt1000)
STOP/PreSTOP		Red LED lights and the pump stops at contact input. / Orange LED lights at contact input		
AUX		The pump runs at 360spm when the no voltage contact is on		Contact is on
Interlock		The pump stops when the no voltage contact is on		
Output		The no voltage contact is on (Mechanical relay)AC250V3A 1. Upper limit output 2. Lower limit output 3. Batch*output (Select one feature)		
Output 2		The no voltage contact is on (Photo MOS relay)AC/DC24V V0.1A 1. Upper limit output 2. Lower limit output 3. Batch*output 4. spm synchronous output(Select one feature) *Sensor failure, STOP, PreSTOP, Interlock and AUX outputs can be set to the batch output		
Calibration		AUTO calibration (2 point)MAN calibration	Measured value adjustment	Cell constant setting Measured value adjustment
Function		Selection of pH buffer solution, Measured value shift, Selection of automatic/manual temperature compensation, Keypad lock (with PIN number), Error indication		
Power Voltage		100 - 240 VAC 50/60Hz		

www.iwakipumps.jp

IWAKI CO.,LTD. 6-6 Kanda-Sudacho 2-chome Chiyoda-ku Tokyo 101-8558 Japan TEL : (81)3 3254 2935 FAX : 3 3252 8892

EUROPE / U.S.A.

European office : IWAKI Europe GmbH TEL: (49)2154 9254 0 FAX: 2154 9254 48
 Austria : IWAKI (Austria) GmbH TEL: (41)26 674 93 00 FAX: 26 674 93 02
 Belgium : IWAKI Belgium N.V. TEL: (32)13 67 02 00 FAX: 13 67 20 30
 Denmark : IWAKI Nordic A/S TEL: (45)48 24 2345 FAX: 48 24 2346
 Finland : IWAKI Suomi Oy TEL: (358)9 2745810 FAX: 9 2742715
 France : IWAKI France S.A. TEL: (33)1 69 63 33 70 FAX: 1 64 49 92 73
 Germany : IWAKI Europe GmbH TEL: (49)2154 9254 50 FAX: 2154 9254 55
 Holland : IWAKI Holland B.V. TEL: (31)297 241121 FAX: 297 273902
 Italy : IWAKI Italia S.R.L. TEL: (39)02 990 3931 FAX: 02 990 42888
 Norway : IWAKI Norge AS TEL: (47)66 81 16 60 FAX: 66 81 16 61
 Spain : IWAKI Iberica Pumps, S.A. TEL: (34)943 630030 FAX: 943 628799
 Sweden : IWAKI Sverige AB TEL: (46)8 511 72900 FAX: 8 511 72922
 Switzerland : IWAKI (Schweiz) AG TEL: (41)26 674 93 00 FAX: 26 674 93 02
 U.K. : IWAKI Pumps (UK) Ltd. TEL: (44)1743 231363 FAX: 1743 366507
 U.S.A. : IWAKI America Inc. TEL: (1)508 429 1440 FAX: 508 429 1386

ASIA / OCEANIA

Australia : IWAKI Pumps Australia Pty Ltd. TEL: (61)2 9899 2411 FAX: 2 9899 2421
 China : ()Country codes
 Hong Kong : IWAKI Pumps Co., Ltd. TEL: (852)2607 1168 FAX: 2607 1000
 Shanghai : IWAKI Pumps (Shanghai) Co., Ltd. TEL: (86)21 6272 7502 FAX: 21 6272 6929
 Guangzhou : GFTZ IWAKI Engineering & Trading Co., Ltd. TEL: (86)20 8435 0603 FAX: 20 8435 9181
 Beijing : GFTZ Iwaki Engineering & Trading Co., Ltd. (Beijing office) TEL: (86)10 6442 7713 FAX: 10 6442 7712
 Korea : IWAKI Korea Co., Ltd. TEL: (82)2 2630 4800 FAX: 2 2630 4801
 Malaysia : IWAKI Sdn. Bhd. TEL: (60)3 7803 8807 FAX: 3 7803 4800
 Singapore : IWAKI Singapore Pte Ltd. TEL: (65)6316 2028 FAX: 6316 3221
 Indonesia : IWAKI Singapore (Indonesia Branch) TEL: (62)21 6906606 FAX: 21 6906612
 Taiwan : IWAKI Pumps Taiwan Co., Ltd. TEL: (886)2 8227 6900 FAX: 2 8227 6818
 Thailand : IWAKI (Thailand) Co., Ltd. TEL: (66)2 322 2471 FAX: 2 322 2477
 Vietnam : IWAKI Pumps Vietnam Co., Ltd. TEL: (84)613 933456 FAX: 613 933399

⚠ Caution for safety use: Before use of pump, read instruction manual carefully to use the product correctly.
Actual pumps may differ from the photos. Specifications and dimensions are subject to change without prior notice. For further details please contact us.

⚠ Legal attention related to export.

Our products and/or parts of products fall in the category of goods contained in the Export Trade Control Order Attachment List 1 of Japanese export control regulations, which includes complementary export control items. Please be reminded that export license, which is issued by the Ministry of Economy, Trade, and Industry in Japan could be required when products are exported from Japan.

