

Electromagnetic metering pumps

ES series



Precise chemical injection at low cost

The ES Series electromagnetic metering pump offers precise chemical injection at an economical cost. Manual or on/off control for simple addition applications.

Sophisticated engineering to provide effective, reliable performance.

High speed operation

Up to 360 strokes per minute results in high resolution chemical feed, elimination of slug-feed effects.

Compact size

Ideal for OEM specifications, ES pumps are small, quiet, and lightweight.

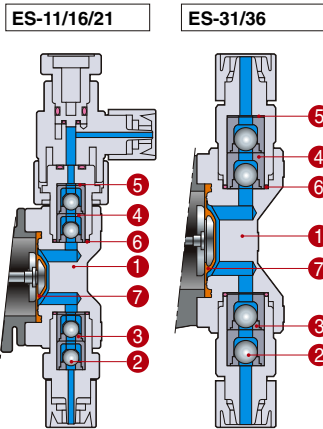
Double ball check valves

The ball, seat and guide assembly ensures a tight seal to prevent loss of prime.

Long lasting diaphragm

PTFE laminate over EPDM is molded onto a solid core. A retainer plate is provided to minimize flow rate changes as pressure varies.





Wet-end part materials

Material symbol	VC	VH
1 Pump head	PVC	
2 Valve	Alumina ceramic	Hastelloy C276
3 Valve seat	FKM	EPDM
4 Valve guide	PVC	
5 Gasket	PTFE	
6 O-ring	FKM	EPDM
7 Diaphragm	PTFE coated EPDM	

Pump identification

ES - B 16 VC - 230N 1					
1	2	3	4	5	6
1 Series name				4 Wet-end part material symbol	
2 Drive unit symbol				VC, VH	
B : 16W				5 Power-supply voltage symbol	
C : 22W					
3 Diaphragm effective diameter				6 Hose connection (in mm)	
11 : 10mm 16 : 15mm				1 : 4 X 9 3 : 6 X 8	
21 : 20mm 31 : 30mm				4 : 8 X 13 5 : 9 X 12	
36 : 35mm					

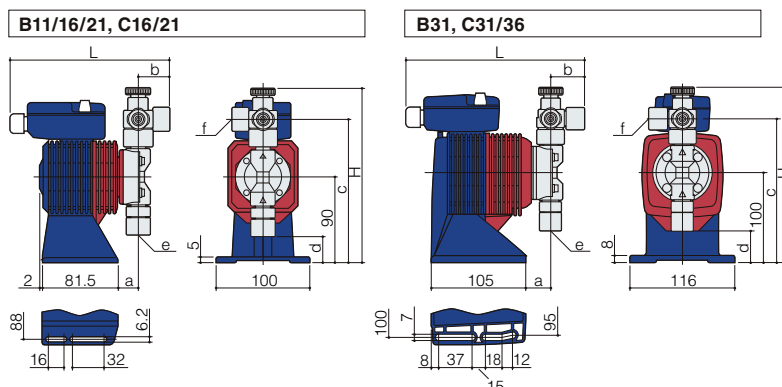
Specifications

Model	B11	B16	B21	B31	C16	C21	C31	C36
Max.capacity	L/hr 2.28	3.9	5.7	12	4.8	7.8	16.2	24
	mL/min 38	65	95	200	80	130	270	400
	mL/shot 0.11	0.18	0.26	0.56	0.23	0.37	0.76	1.13
Max. discharge pressure	MPa 1.0	0.7	0.4	0.2	1.0	0.7	0.35	0.2
Stroke rate	0 - 360 spm							
Power supply	AC220 - 240V, single phase, 50Hz / 60Hz							
Insulation type, etc.	B type insulation and built-in thermal protector, with a 2.0m power cable, without plug							

- Note:
- The max. discharge value in the table above represents the performance measured with clean water at max. discharge pressure, ambient temperature, and rated voltage. Actual discharge may increase if operation is conducted at a lower pressure.
 - Set the discharge pressure at 0.17 MPa or higher to prevent over-feeding trouble. (0.05 MPa or higher in the case of B31, C36.) If the pressure is to be lower than these levels, make sure to use a check valve or a back pressure valve, which is supplied as an optional item.
 - Range of liquid temperature : 0-40°C.
 - Range of the ambient temperature : 0-40°C.
 - Max. viscosity : Up to 50mPa·s. If the viscosity exceeds 50mPa·s, please contact us.

Dimensions in mm

Model	H	L	a	b	c	d	e & f Tubing
ES-B11							
ES-B16	(184)	(178)	(25)	(37)	(150)	(26)	4 X 9, 6 X 8
ES-B21							
ES-B31	(172)	(159)	(27)	16	-	(8)	8 X 13, 9 X 12
ES-C16	(194)	(196.5)	(27)	(37)	(160)	(36)	4 X 9, 6 X 8
ES-C21							
ES-C31	(186.5)	(177.5)	(29)	(16)	(182)	(18)	8 X 13, 9 X 12
ES-C36		(177)	(28.5)		(181.5)	(18.5)	



Optional accessory

Check valve

This has the function of a non-return valve and prevents siphon and overfeed.

CA : Available in PVC.

CB : In-line type to be connected in the middle of a hose; made of PVC.

Model	Connection		Set pressure MPa	Material			Applicable pump
	Inlet mm	Outlet		Body	Spring	O-ring	
CA-1VC	4x9	R3/8 and R1/2	0.17 ±0.04	PVC	Hastelloy C276	FKM	ES-B11, 16, 21
CA-1VE	6x8					EPDM	ES-C16, 21, 31
CA-2VCL	8x13	R3/8 and R1/2	0.05 +0.04 -0.03	PVC	Hastelloy C276	FKM	ES-B31
CA-2VEL	9x12					EPDM	ES-C36

Note: Please contact us for the specifications of CB.

www.iwakipumps.jp

IWAKI CO.,LTD. 6-6 Kanda-Sudacho 2-chome Chiyoda-ku Tokyo 101-8558 Japan TEL : (81)3 3254 2935 FAX : 3 3252 8892

EUROPE / U.S.A.

European office : IWAKI Europe GmbH
 Austria : IWAKI (Austria) GmbH
 Belgium : IWAKI Belgium N.V.
 Denmark : IWAKI Nordic A/S
 Finland : IWAKI Suomi Oy
 France : IWAKI France S.A.
 Germany : IWAKI Europe GmbH
 Holland : IWAKI Holland B.V.
 Italy : IWAKI Italia S.R.L.
 Norway : IWAKI Norge AS
 Spain : IWAKI Iberica Pumps, S.A.
 Sweden : IWAKI Sverige AB
 Switzerland : IWAKI (Schweiz) AG
 U.K. : IWAKI Pumps (UK) Ltd.
 U.S.A. : IWAKI America Inc.

TEL: (49)2154 9254 0 FAX: 2154 9254 48
 TEL: (41)26 674 93 00 FAX: 26 674 93 02
 TEL: (32)13 67 02 00 FAX: 13 67 20 30
 TEL: (45)48 24 2345 FAX: 48 24 2346
 TEL: (358)9 2745810 FAX: 9 2742715
 TEL: (33)1 69 63 33 70 FAX: 1 64 49 92 73
 TEL: (49)2154 9254 50 FAX: 2154 9254 55
 TEL: (31)297 241121 FAX: 297 273902
 TEL: (39)02 990 3931 FAX: 02 990 42888
 TEL: (47)66 81 16 60 FAX: 66 81 16 61
 TEL: (34)943 630030 FAX: 943 628799
 TEL: (46)8 511 72900 FAX: 8 511 72922
 TEL: (41)26 674 93 00 FAX: 26 674 93 02
 TEL: (44)1743 231363 FAX: 1743 366507
 TEL: (1)508 429 1440 FAX: 508 429 1386

ASIA / OCEANIA

Australia : IWAKI Pumps Australia Pty Ltd. TEL: (61)2 9899 2411 FAX : 2 9899 2421
 China
 Hong Kong : IWAKI Pumps Co., Ltd. TEL: (852)2607 1168 FAX: 2607 1000
 Shanghai : IWAKI Pumps (Shanghai) Co., Ltd. TEL: (86)21 6272 7502 FAX: 21 6272 6929
 Beijing : IWAKI Pumps Co., Ltd. (Beijing office) TEL: (86)10 6442 7713 FAX: 10 6442 7712
 Guangzhou : GFTZ IWAKI Engineering & Trading Co., Ltd. TEL: (86)20 8435 0603 FAX: 20 8435 9181
 Indonesia : IWAKI Singapore (Indonesia Branch) TEL: (62)21 6906606 FAX: 21 6906612
 Korea : IWAKI Korea Co.,Ltd. TEL: (82)2 2630 4800 FAX: 2 2630 4801
 Malaysia : IWAKI Sdn. Bhd. TEL: (60)3 7803 8807 FAX: 3 7803 4800
 Philippines : IWAKI Chemical Pumps Philippines, Inc. TEL: (63)2 888 0245 FAX: 2 843 3096
 Singapore : IWAKI Singapore Pte Ltd. TEL: (65)6316 2028 FAX: 6316 3221
 Taiwan : IWAKI Pumps Taiwan Co., Ltd. TEL: (886)2 8227 6900 FAX: 2 8227 6818
 Thailand : IWAKI (Thailand) Co.,Ltd. TEL: (66)2 322 2471 FAX: 2 322 2477
 Vietnam : IWAKI Pumps Vietnam Joint Venture Co., Ltd. TEL: (84)613 933456 FAX: 613 933399

Caution for safety use: Before use of pump, read instruction manual carefully to use the product correctly. Actual pumps may differ from the photos. Specifications and dimensions are subject to change without prior notice. For further details please contact us.

2007.7/2000SXZ

This catalogue is printed on 100% Recycled Paper.

